

## VA-023 & CM-023 Special Features



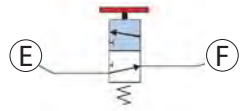
**Maintained Output** occurs as long as both palm buttons are held. Release of either button terminates the output (shipped in this configuration).

**How:** Connect E to F using a piece of 5/32" O.D. tubing as a jumper



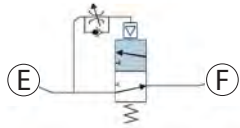
**Momentary Output** gives a single output pulse that is about 50 ms in duration.

**How:** Plug E with 5/32" Push-Quick Plug (11755 screw plug if using CM-023); F is open



**Cancelable Output** terminates the output after a Normally-Open 3-way limit valve has been tripped, even if both palm buttons are held.

**How:** Interpose Normally-Open 3-way valve or other circuit function



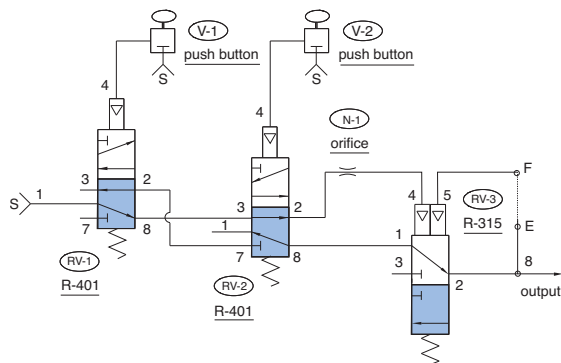
**Cancel Output after Time Delay** is a variation of Cancelable Output (above) where pneumatic delay valve, such as Clippard's Model R-331, is set to cancel the output after a designated time interval has elapsed regardless of how long the buttons are held.

**How:** Interpose Normally-Open 3-way delay valve (see R-331)



*It is the user's responsibility to determine which special feature can be safely used in their particular application. Because of the variety of applications for this equipment, detailed instructions cannot be given for each possible use. Users are warned that improper application, use, installation, maintenance and/or alterations to this product may result in malfunctions and possible damage or injuries. This device, and all equipment and/or machinery associated with it, should be tested weekly by qualified personnel for proper function and operation.*

## Two-Hand, No-Tie-Down ANSI Circuit



*Absolutely no alterations or modifications should be made to this circuit or its components parts.*

### Circuit Operation:

RV-3 is held open by supply air that passes through RV-1, RV-2 and N-1. When RV-1 is actuated alone, the pilot air for RV-3 flows back through the N-1 and RV-2 to atmosphere at RV-1, and RV-3 is closed by the spring. When RV-2 is actuated alone, the same sequence occurs except the pilot air from RV-3 exhausts to atmosphere via RV-2.

Restriction N-1 determines the time span during which both signals must be received in order to obtain the output. When RV-1 and RV-2 are actuated together, supply air is directed through RV-1, RV-2 and RV-3 to the output, providing a momentary output signal that is determined by N-1. If a maintained signal is required, a jumper between E and F maintains an output as long as the operator is depressing both palm buttons.

The indicator on RV-3 (R-315) must be down for an output to be obtained. If either RV-1 or RV-2 is actuated separately, their respective indicator will go up, but after approximately one second, the indicator on RV-3 (R-315) will go down showing that the valve has shifted and an output cannot be obtained. Circuit performance and sequence should be periodically observed to verify proper function.